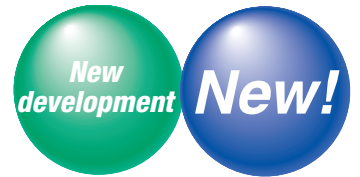


High-speed and Low-noise Ball Screws

BSS Series

Quiet and compact, with unparalleled high speed performance. Reduced-noise BSS Series ball screws for an extensive range of uses, from machine tools to transportation equipment.

Patent Pending



BSS Series—Next-generation ball screws with quiet, high-speed performance in a compact size, the result of joining NSK's advanced technology with an innovative recirculation method

A new series has joined the NSK ball screws lineup that delivers unrivaled precision. Developed with the advanced technology NSK has gained over years of earning customer trust with proven performance, this series represents a groundbreaking achievement in reduced noise and high-speed operation in an amazingly compact size. The quiet performance is especially appreciated in machine tools, medical equipment, semiconductor-manufacturing equipment, LCD manufacturing equipment, and chip mounting equipment.

Features

Quieter by 6 dB; nearly silent in typical applications

The average noise level is reduced by more than 6 dB compared with our conventional products. At low-speed rotation, the ball screws are nearly silent, while the lowest noise level is achieved at high-speed rotation*.

*Noise level measured with a microphone at a distance of 400 mm.

High-speed operation of up to 180 000 d·n

Realizes high-speed operation at a maximum of d·n 180 000—outstanding for ball screws and far surpassing the 100 000 d·n maximum performance of conventional return tube type products. For high lead ball screws, high-speed operation at over 200m/min is also possible.

Allowable maximum rotational speed is 5 000 min⁻¹.

Please consult NSK if maximum rotational speed exceed 5 000 min⁻¹ or d·n exceed 180 000.

30% smaller

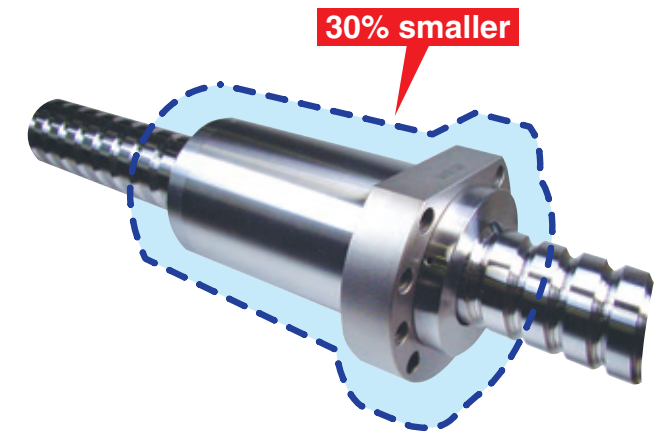
The external diameter of the ball nut is 30% smaller than our conventional models. Compact configurations are possible for low-profile XY tables as well as for other devices and equipment.

Grease fitting provided as standard equipment

The ball screws with shaft diameters of less than φ25 are standardly equipped with a grease fitting (M5 × 0.8). Lubrication ports are provided in 2 places to facilitate maintenance. The ball screws can be easily connected to an integrated lubrication system.

High-speed and Low-noise Ball Screws BSS Series

*High speed,
extremely low noise*



Application

Combinations of shaft diameter and lead of the high-speed and low-noise ball screws are shown in the table.

Shaft diameter	Lead													
	5	10	12	16	20	25	30	32	40	50	60	64	80	100
10	●	●												
12	●	●			●		●							
15	●	●			●		●							
20	●	●			●		●		●		●			
25	●	●			●	●	●			●				
32	●	●	●	●	●			●				●		
36	●	●	●	●	●									
40	●	●	●	●	●	●	●		●				●	
45	●	●	●	●	●	●	●							
50	●	●	●	●	●	●	●			●				●

Specifications

Recirculation method

A new internal ball recirculation method is applied for simpler, more compact ball nuts.

Preload and axial play

Adopts oversized ball preload, suitable for compact devices. Axial play can be selected from less than or equal to 0.005 mm (code T), 0.020 mm (code S), or 0.050 mm (code N). For more information, please see the general catalog of precision machine components.

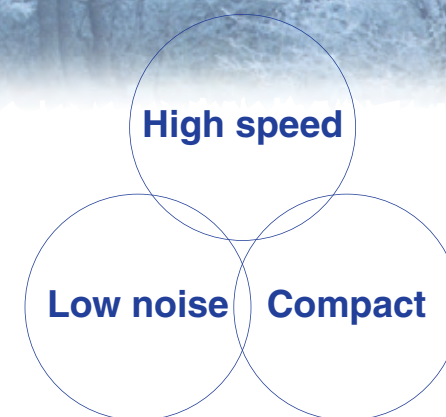
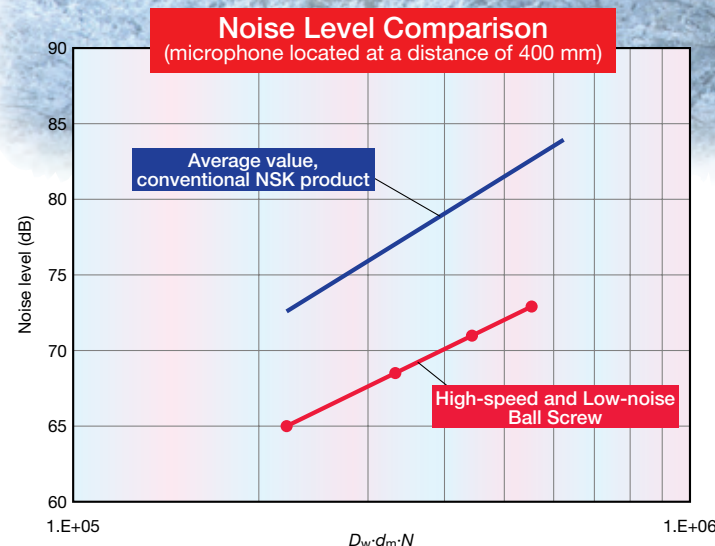
Sealing

Adopts a new compact design high performance sealing. Minimal grease scattering contributes to maintenance of a clean environment.

Options

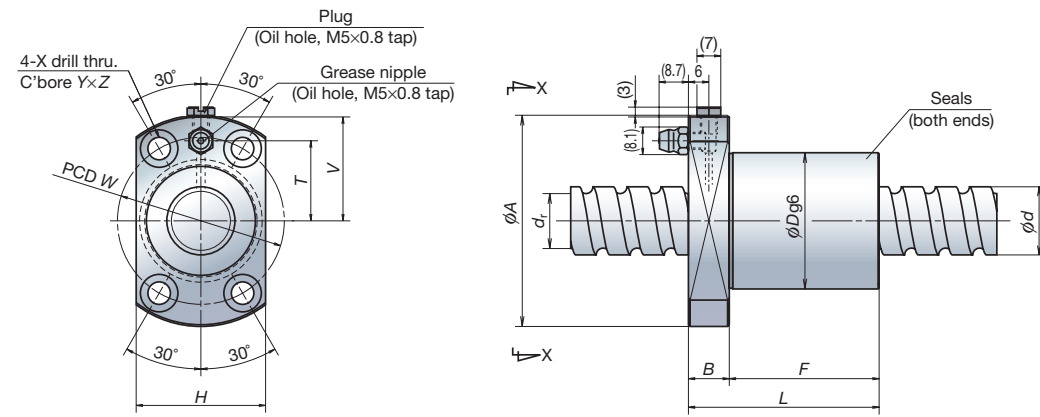
- Optional NSK K1™ lubrication unit, molded from resin and impregnated with lubrication oil, supplies fresh oil onto ball rolling surfaces, ensuring long-term, maintenance-free usage. Please contact NSK when using NSK K1.
- Please contact NSK about hollow shaft ball screws that are compatible with the forced cooling of the shaft center, which are effective for stabilizing positioning accuracy and shortening the warm-up period.

Silent

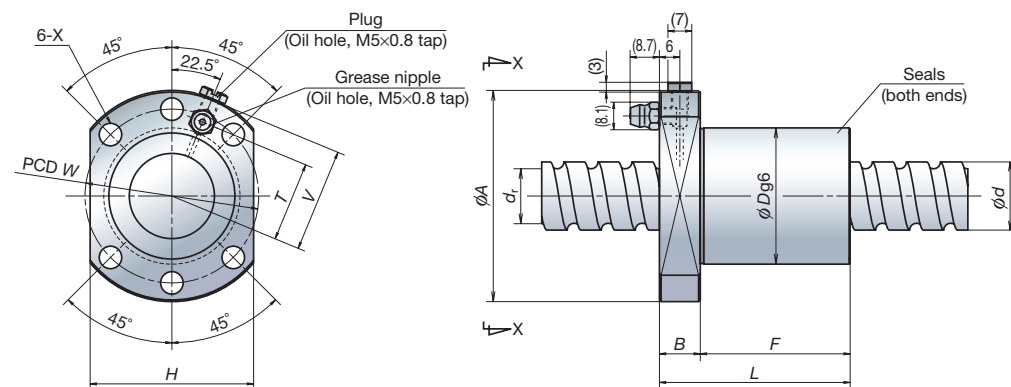


Dimensions of BSS Series

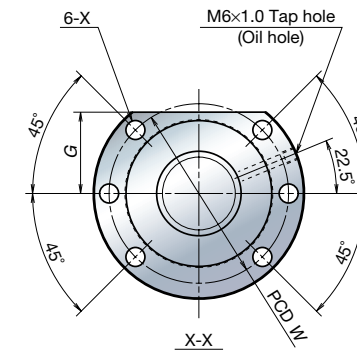
High-speed and Low-noise Ball Screws BSS Series



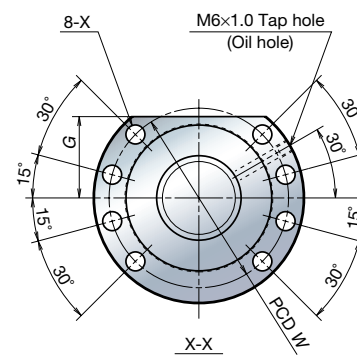
Type I Flange



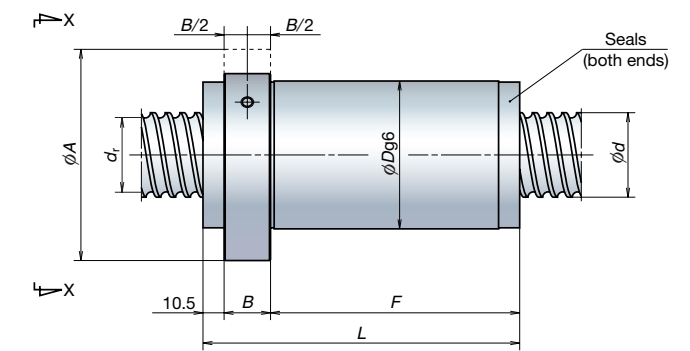
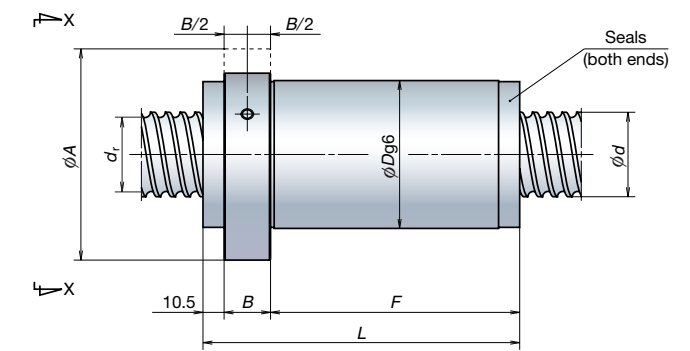
Type II Flange



Type III Flange



Type IV Flange



Unit: mm

Model No.	Screw shaft diameter d	Lead l	Ball dia. D_w	Ball circle dia. d_m	Root dia. d_r	Effective turns of balls	Basic load rating		Axial rigidity (N/ μ m)	Ball nut dimensions													
							Dynamic C_a (N)	Static C_{oa} (N)		D	A	L	B	F	HxV	TYPE	W	T	X	Y	Z		
BSS1005-3E	10	5	2.000	10.3	8.2	3	2 930	4 790	126	23	43	29	11	18	26x21	I	33	14	4.5	8	4.5		
BSS1010-2E		2				1 970	3 010	77	21														
BSS1205-3E	12	5	2.000	12.3	10.2	3	3 200	5 860	146	24	44	30	11	19	27x21.5	I	34	14.5	4.5	8	4.5		
BSS1210-3E		10				3	3 200	5 860	142													43	32
BSS1220-2E		20				2	2 150	3 610	83													50	39
BSS1230-2E	30	2	2 150	3 610	75	70	59																
BSS1505-3E	15	5	2.778	15.5	12.6	3	5 460	10 200	183	28	51	30	11	19	31x25	I	39	18	5.5	9.5	5.5		
BSS1510-3E		10				3	5 460	10 200	181													43	32
BSS1520-2E		20				2	5 070	8 730	127													51	40
BSS1530-2E		30				2	5 070	8 730	116													60	60
BSS2005-3E	20	5	3.175	20.5	17.2	3	8 790	18 500	268	36	62	31	13	18	38x30.5	I	49	23.5	6.6	11	6.6		
BSS2010-3E		10				3	8 790	18 500	268													45	32
BSS2020-2E		20				2	5 900	11 700	167													54	41
BSS2030-2E		30				2	5 900	11 700	159													74	61
BSS2040-2E		40				2	5 900	11 700	147													92	79
BSS2060-2E		60				2	5 900	11 700	128													129	116
BSS2505-3E	25	5	3.175	25.5	22.2	3	9 760	23 600	325	40	62	32	12	20	48x30.5	II	51	23.5	6.6	-	-		
BSS2510-4E		10				4	12 800	32 300	437													56	44
BSS2520-2E		20				2	6 560	14 600	203													54	42
BSS2525-2E		25				2	6 560	14 600	197													63	51
BSS2530-2E		30				2	6 560	14 600	194													74	62
BSS2550-2E		50				2	6 560	14 600	177													114	102

Unit: mm

Note: Rigidity values in this table are theoretical values derived from elastic displacement between screw grooves and balls when axial load is applied to a ball nut for which preload is set at 3% of the basic dynamic load rating (C_a). The shape and dimension of ball screws with shaft diameters less than $\phi 25$ are the same as NSK ball screws held in standard stock as the Compact FA Series.

Model No.	Screw shaft diameter d	Lead l	Ball dia. D_w	Ball circle dia. d_m	Root dia. d_r	Effective turns of balls	Basic load rating C_a (N)	Static C_{oa} (N)	Axial rigidity (N/ μ m)	Ball nut dimensions											
										D	A	L	B	F	G	TYPE	W	X			
BSS3205-5E	32	5	3.175	32.5	29.2	5	17 500	52 900	672	56	86	60	12	37.5	34	III	71	9			
BSS3210-6E		6				43 300	111 000	865	104										75.5		
BSS3212-5E		12				5	36 700	90 800	716										103	74.5	
BSS3216-5E		16				5	36 700	90 800	716										122	18	93.5
BSS3220-5E		20				5	36 700	90 800	708										141	112.5	
BSS3232-2E		32				2	15 300	32 400	261										94	65.5	
BSS3264-2E	64	2	15 300	32 400	232	153	124.5														
BSS3605-5E	36	5	6.35	37	30.4	5	18 400	59 500	740	65	95	60	12	37.5	36	IV	80	9			
BSS3610-6E		6				55 200	142 000	970	109										76.5		
BSS3612-6E		12				6	55 200	142 000	967										120	22	87.5
BSS3616-6E		16				6	55 200	142 000	961										143	110.5	
BSS3620-6E		20				6	55 200	142 000	959										166	133.5	
BSS4010-6E		10				6	58 200	158 000	1 060										109	76.5	
BSS4012-6E	12	6	58 200	158 000	1 050	120	87.5														
BSS4016-6E	16	6	58 200	158 000	1 050	143	110.5														
BSS4020-6E	20	6	58 200	158 000	1 050	166	133.5														
BSS4025-4E	25	4	40 100	103 000	686	145	112.5														
BSS4030-3E	30	3	30 600	74 000	505	134	101.5														
BSS4040-2E	40	2	20 600	46 600	319	110	77.5														
BSS4080-2E	80	2	20 600	46 600	286	184	151.5														
BSS4510-6E	45	10	6.35	46	39.4	6	60 700	178 000	1 160	75	110	60	12	37.5	43	IV	93	11			
BSS4512-6E		12				6	60 700	178 000	1 160										120	87.5	
BSS4516-6E		16				6	60 700	178 000	1 160										143	110.5	
BSS4520-6E		20				6	60 700	178 000	1 150										166	133.5	
BSS4525-5E		25				5	51 400	146 000	954										170	137.5	
BSS4530-4E		30				4	41 800	116 000	752										164	131.5	
BSS5010-6E	50	10	6.35	51	44.4	6	64 600	198 000	1 270	82	118	60	12	37.5	46	IV	100	11			
BSS5012-6E		12				6	64 600	198 000	1 270										120	87.5	
BSS5016-6E		16				6	64 600	198 000	1 270										143	110.5	
BSS5020-6E		20				6	64 600	198 000	1 260										166	133.5	
BSS5025-5E		25				5	54 700	164 000	1 040										170	137.5	
BSS5030-5E		30				5	54 700	164 000	1 040										194	161.5	
BSS5050-2E	50	2	22 800	58 300	383	130	97.5														
BSS50100-2E	100	2	22 800	58 300	342	224	191.5														

Note: Rigidity values in this table are theoretical values derived from elastic displacement between screw grooves and balls when axial load is applied to a ball nut for which preload is set at 3% of the basic dynamic load rating (C_a).

Worldwide Sales Offices

NSK LTD.-HEADQUARTERS, TOKYO, JAPAN INDUSTRIAL MACHINERY BEARINGS DIVISION-HEADQUARTERS AFTERMARKET BUSINESS DIVISION-HEADQUARTERS AUTOMOTIVE BUSINESS DIVISION-HEADQUARTERS PRECISION MACHINERY & PARTS DIVISION-HEADQUARTERS	www.nsk.com tel: 03-3779-7227 tel: 03-3779-8893 tel: 03-3779-7189 tel: 03-3779-7163	PT. NSK INDONESIA Jakarta	www.id.nsk.com tel: 021-252-3458	Netherlands: NSK EUROPEAN DISTRIBUTION CENTRE B.V. Tilburg	tel: 013-4647647
Africa South Africa: NSK SOUTH AFRICA (PTY) LTD. Johannesburg	tel: 011-458-3600	Korea: NSK KOREA CO., LTD. Seoul Changwon Plant	www.kr.nsk.com tel: 02-3287-0300 tel: 055-287-6001	Poland: NSK EUROPE LTD. WARSAW LIAISON OFFICE Warsaw	tel: 022-645-1525
Asia and Oceania Australia: NSK AUSTRALIA PTY. LTD. Melbourne	www.au.nsk.com tel: 03-9764-8302	Malaysia: NSK BEARINGS (MALAYSIA) SDN BHD Shah Alam NSK MICRO PRECISION (M) SDN. BHD. Malaysia Plant	www.my.nsk.com tel: 03-7803-8859 www.my.nsk.com tel: 03-8961-3960	NSK BEARINGS POLSKA S.A. Kielce Plant	tel: 041-366-5001
China: NSK HONG KONG LTD. Hong Kong Shenzhen	tel: 2739-9933 tel: 0755-25904886	New Zealand: NSK NEW ZEALAND LTD. Auckland	www.nsk-rhp.co.nz tel: 09-276-4992	NSK EUROPEAN TECHNOLOGY CENTER, POLAND OFFICE Kielce	tel: 041-366-5812
KUNSHAN NSK CO., LTD. Kunshan Plant	tel: 0512-5771-5654	Philippines: NSK REPRESENTATIVE OFFICE Manila	tel: 02-759-6246	NSK STEERING SYSTEMS EUROPE (POLSKA) SP.ZO.O. Walbrzych	tel: 074-664-4101
CHANGSHU NSK NEEDLE BEARING CO., LTD. Jiangsu Plant	tel: 0512-5230-1111	Singapore: NSK INTERNATIONAL (SINGAPORE) PTE LTD. Singapore	tel: 6496-8000	NSK NEEDLE BEARING POLAND SP.ZO.O. Kielce	tel: 041-345-2469
NSK STEERING SYSTEMS DONGGUAN CO., LTD. Dongguan Plant	tel: 0769-2262-0960	Singapore (PRIVATE) LTD. www.nsk-singapore.com.sg Singapore	tel: 6496-8000	Spain: NSK SPAIN S.A. Barcelona	tel: 093-433-5775
ZHANGJIAGANG NSK PRECISION MACHINERY CO., LTD. Zhangjiagang Plant	tel: 0512-5867-6496	Taiwan: TAIWAN NSK PRECISION CO., LTD. Taipei	tel: 02-2509-3305	Turkey: NSK RULMANLARI ORTA DOGU TIC. LTD. STI. Istanbul	tel: 0216-355-0398
SUZHOU NSK BEARINGS CO., LTD. Suzhou Plant	tel: 0512-6665-5666	TAIWAN NSK TECHNOLOGY CO., LTD. Taipei	tel: 02-2509-3305	United Kingdom: NSK BEARINGS EUROPE LTD. Peterlee Plant	tel: 0191-586-6111
NSK CHINA TECHNOLOGY CENTER Jiangsu	tel: 0512-5771-5654	Thailand: NSK BEARINGS (THAILAND) CO., LTD. Bangkok	tel: 02641-2150	NSK EUROPEAN TECHNOLOGY CENTRE Newark	tel: 01636-605-123
NSK (SHANGHAI) TRADING CO., LTD. Shanghai	tel: 021-6235-0198	NSK BEARINGS MANUFACTURING (THAILAND) CO., LTD. Chonburi	tel: 038-454-010	NSK UK Ltd. Newark	tel: 01636-605-123
NSK REPRESENTATIVE OFFICES Beijing	www.nsk.com.cn tel: 010-6590-8161	SIAM NSK STEERING SYSTEMS CO., LTD. Chachoengsao	tel: 038-522-343	NSK PRECISION UK LTD. Newark	tel: 01636-605-123
Guangzhou	tel: 020-3786-4833	NSK ASIA PACIFIC TECHNOLOGY CENTER (THAILAND) CO., LTD. Chonburi	tel: 038-454-631	NSK STEERING SYSTEMS EUROPE LTD. Maidenhead	tel: 01628-509-800
Chengdu	tel: 028-8661-4200	Vietnam: NSK VIETNAM CO., LTD. Hanoi	tel: 04-955-0159	North and South America NSK AMERICAS, INC. (AMERICAN HEADQUARTERS) Ann Arbor	tel: 734-913-7500
NSK (CHINA) INVESTMENT CO., LTD. Shanghai	tel: 021-6235-0198	NSK REPRESENTATIVE OFFICE Ho Chi Minh City	tel: 08-822-7907	Argentina: NSK ARGENTINA SRL Buenos Aires	tel: 11-4704-5100
Changchun	tel: 0431-8898-8682	Europe NSK EUROPE LTD. (EUROPEAN HEADQUARTERS) Maidenhead	www.eu.nsk.com tel: 01628-509-800	Brazil: NSK BRASIL LTDA. Sao Paulo	www.br.nsk.com tel: 011-3269-4786
NSK CHINA SALES CO., LTD. Shanghai	tel: 021-6235-0198	France: NSK FRANCE S.A.S Paris	tel: 01-30-57-39-39	Canada: NSK CANADA INC. Toronto	www.ca.nsk.com tel: 905-890-0740
NSK-WARNER (SHANGHAI) CO., LTD. Plant	tel: 021-3365-5757	Germany: NSK DEUTSCHLAND GMBH Düsseldorf	tel: 02102-4810	Mexico: NSK RODAMIENTOS MEXICANA, S.A. DE C.V. Mexico City	www.mx.nsk.com tel: 55-5390-4312
AKS PRECISION BALL (HANGZHOU) CO., LTD. Plant	tel: 0571-2280-1288	NSK PRECISION EUROPE GMBH Düsseldorf	tel: 02102-4810	United States of America: NSK CORPORATION Ann Arbor	www.us.nsk.com tel: 734-913-7500
India: RANE NSK STEERING SYSTEMS LTD. Chennai	tel: 044-274-66002	NEUWEG FERTIGUNG GMBH Munderkingen Plant	tel: 07393-540	NSK AMERICAN TECHNOLOGY CENTER Ann Arbor	tel: 734-913-7500
NSK INDIA SALES CO. PVT. LTD. Chennai	tel: 044-2446-6862	Italy: NSK ITALIA S.P.A. Milano	tel: 0299-5191	NSK PRECISION AMERICA, INC. Franklin	www.npa.nsk.com tel: 317-738-5000
Gurgaon	tel: 0124-4104-530	INDUSTRIA CUSCINETTI S.P.A. Torino Plant	tel: 011-982-4811	NSK STEERING SYSTEMS AMERICA, INC. Bennington	www.nssa.nsk.com tel: 802-442-5448
Kolkata	tel: 033-4001-2062			NSK LATIN AMERICA, INC. Miami	www.la.nsk.com tel: 305-477-0605
Mumbai	tel: 022-2838-7787				

NSK Ltd. has a basic policy not to export any products or technology designated as controlled items by export-related laws. When exporting the products in this brochure, the laws of the exporting country must be observed. Specifications are subject to change without notice and without any obligation on the part of the manufacturer. Every care has been taken to ensure the accuracy of the data contained in this brochure, but no liability can be accepted for any loss or damage suffered through errors or omissions. We will gratefully acknowledge any additions or corrections.

For more information about NSK products, please contact: _____

